



BEARINGS FOR CRUSHER INDUSTRY



PRODUCT RANGE



SPHERICAL ROLLER BEARING

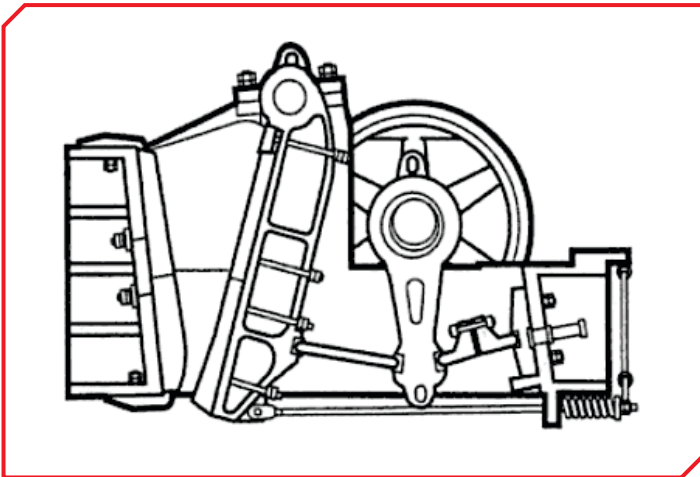


BALL BEARING

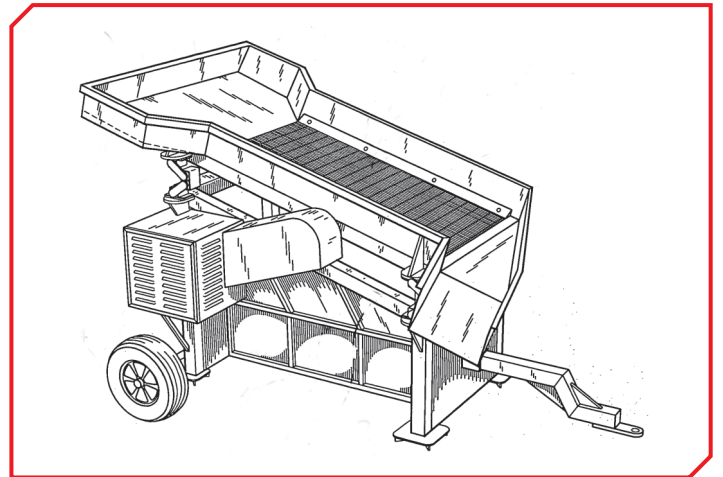


PILLOW BLOCK BEARING

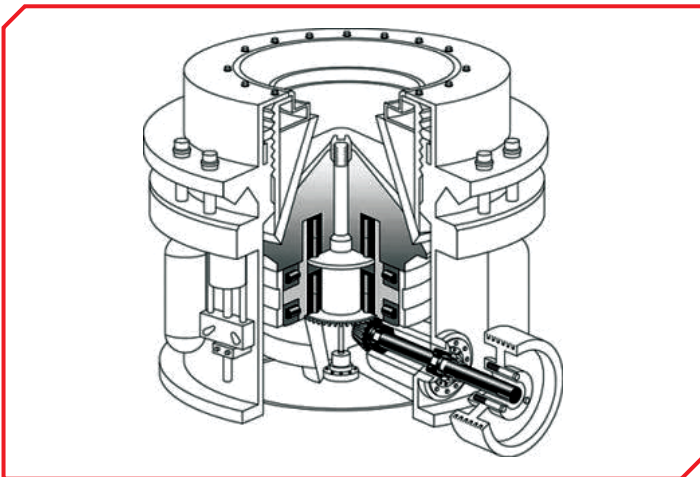
SPECIALISED BEARING FOR



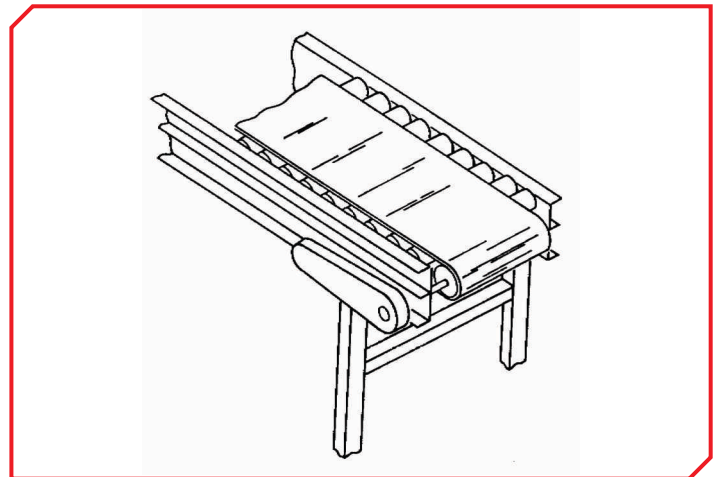
JAW CRUSHER



VIBRATING SCREEN



CONE CRUSHER



BELT & CONVEYER

SPHERICAL ROLLER BEARING

SPHERICAL ROLLER BEARING

- > 21300 Series
- > 22200 Series
- > 22300 Series
- > 23000 Series
- > 23100 Series
- > 23200 Series
- > 24000 Series
- > 24100 Series



BALL BEARING

- > 6200 Series
- > 6300 Series
- > 6400 Series

BEARING UNIT

- > UCP Series
- > UCF Series
- > UCFC Series
- > UCFL Series
- > UC Series



ABOUT US

KDM Precision Bearings is one of the best Manufacturers of ball and roller bearings. Our bearings are supplied to more than 50 countries worldwide and approved in a wide variety of engineering industries.

KDM Bearings cater to the growing premium quality requirement of the market. Strict adherence to Japanese Precision and Quality Standards make **KDM** the preferred choice of product.

- > **KDM CORPORATION INC.** appoints Distributors and Dealers.
- > We provide Technical Assistance to OEMs, End-Users and Distributors.
- > **KDM CORPORATION INC.** participates in Exhibitions and Seminars on a regular basis.
- > We keep Ready Stock for Delivery.



KDM
PRECISION BEARINGS

Precision Japanese Technology

KDM CORPORATION INC.

Corporate Office:

A718, Bonanza, Sahar Plaza Complex,
Near Chakala Metro Station, Sir M. V. Road,
Andheri (E), Mumbai - 400 059. INDIA

Contact:

+91 22 2822 7669 / +91 22 2823 7669
+91 22 6633 7669 / +91 22 4004 8089
+91 77 1806 7827

Fax:

+91 22 6636 9432

Email:

info@kdmbrg.com

Web:

www.kdmbrg.com

AUTHORIZED DEALER:

